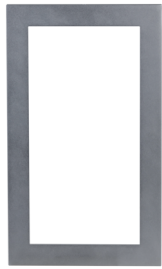


# VTM125/VTM126

Panel



VTM125



VTM126

### Technical Specification

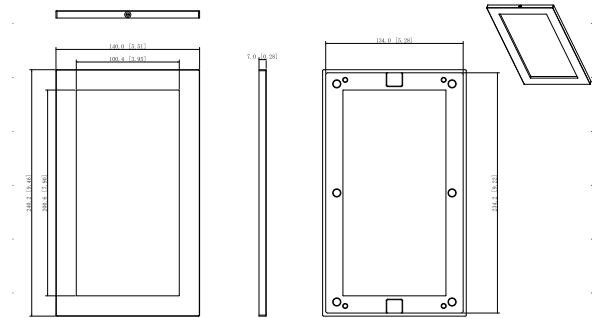
Model	VTM125
Color	Silver
Dimensions	140mm×240.20mm×7.0mm (5.51"×9.46"×0.28")
Material	Aluminum

Model	VTM126
Color	Silver
Dimensions	140mm×340.40mm×7.0mm(5.51"×13.40"×0.28")
Material	Aluminum

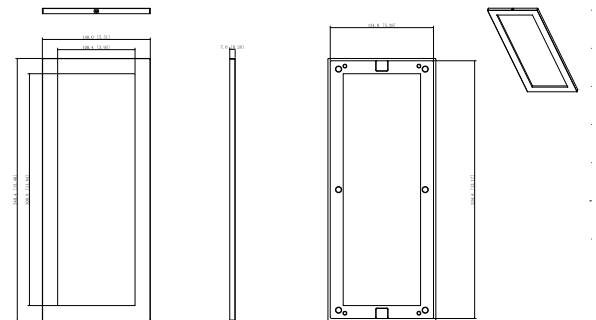
### Ordering Information

Model	Description
VTM125	2-modular panel, used with VTM127, and applicable to VTO4202F-X series
VTM126	3-modular panel, used with VTM128, and applicable to VTO4202F-X series

### Dimensions (mm[inch])



VTM125



VTM126